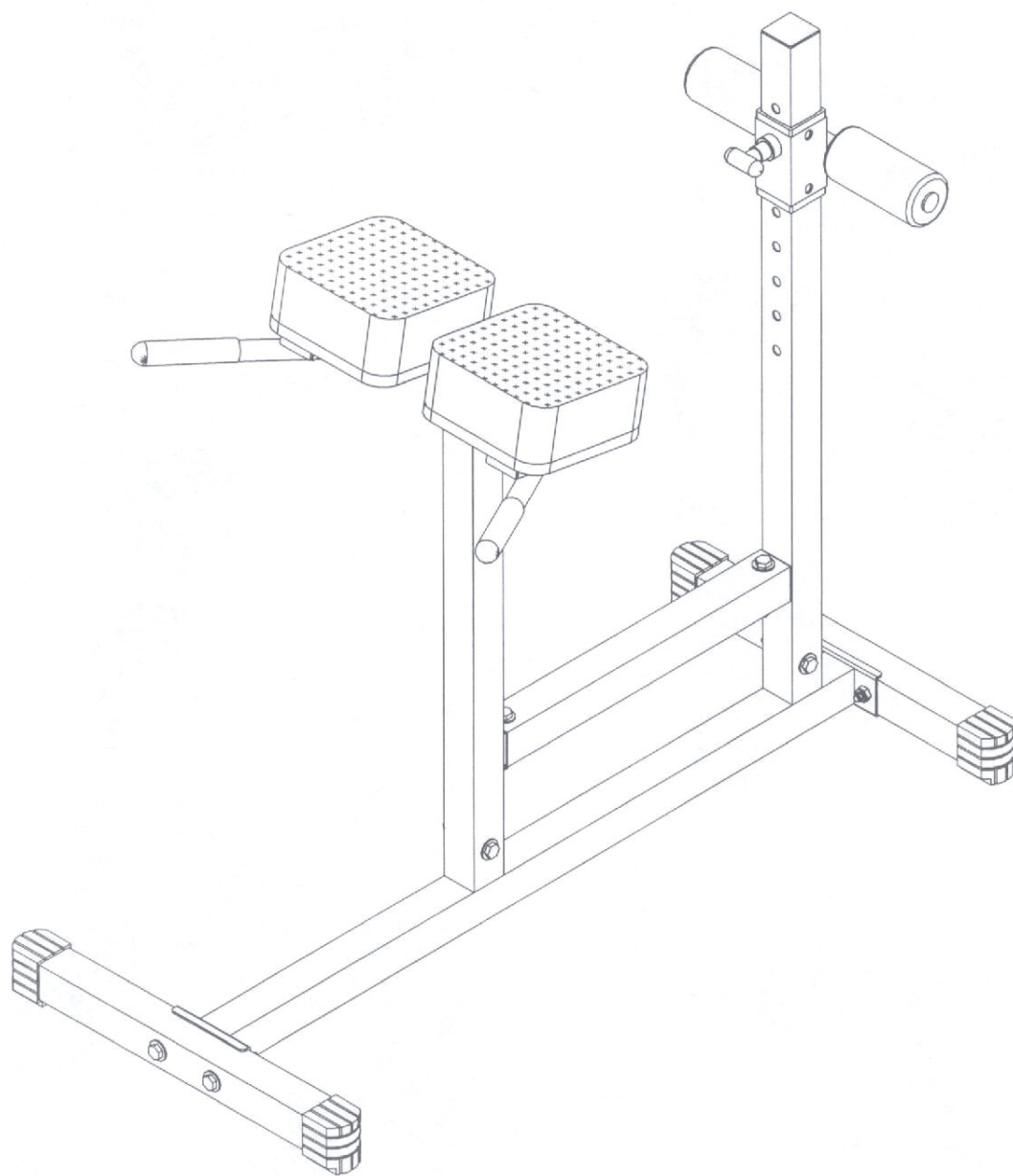


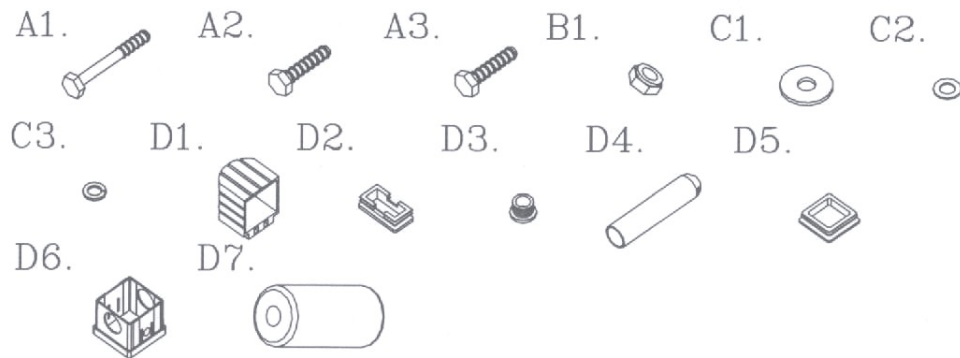
PCH-24.1



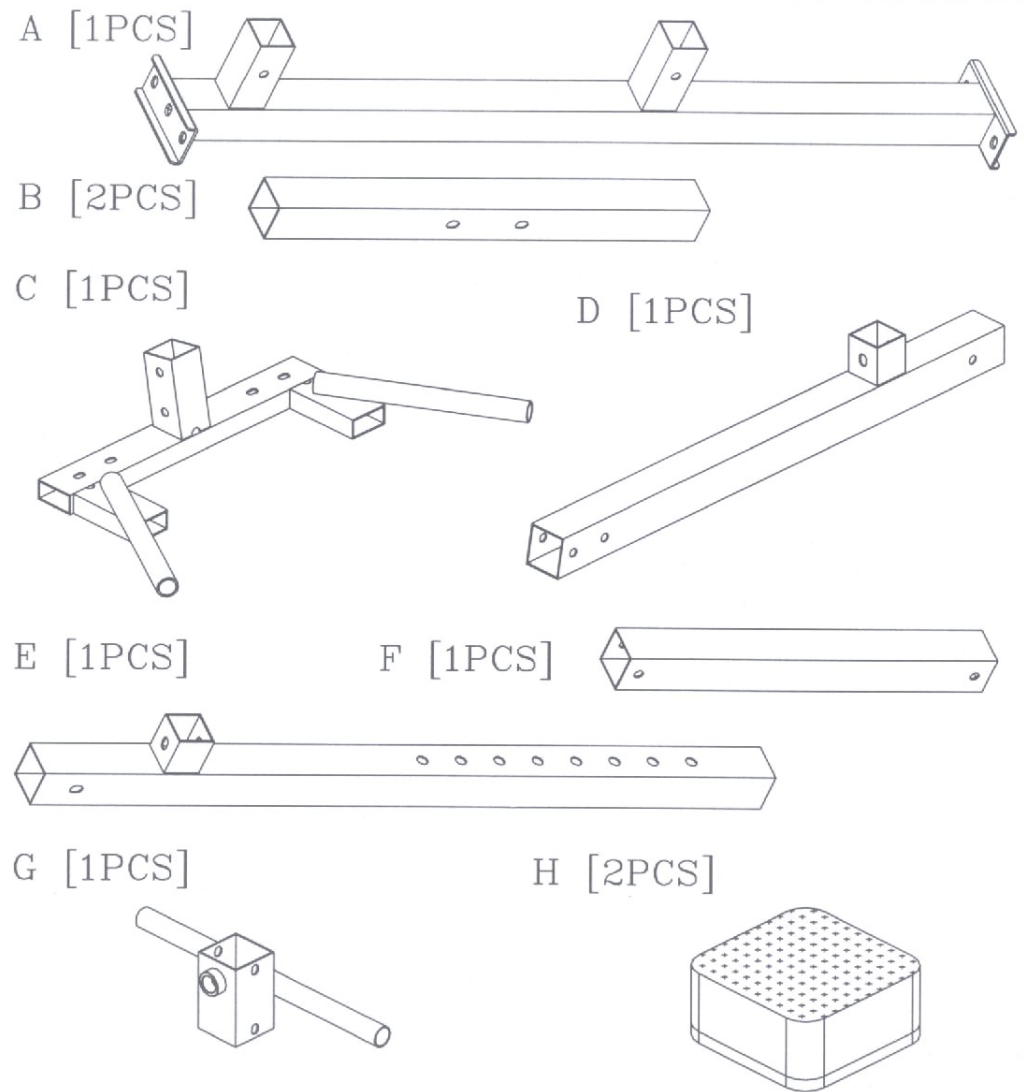
PCH-24.1

HARDWARE ILLUSTRATION SHEET

	Qty.
A1. M10X70L HEX HEAD BOLT	[4PCS]
A2. 5/16"X40L HEX HEAD BOLT	[4PCS]
A3. M10X65L HEX HEAD BOLT	[6PCS]
B1. M10 NYLON LOCK NUT	[10PCS]
C1. M10(I.D) WASHER	[16PCS]
C2. 5/16"(I.D) WASHER	[4PCS]
C3. 5/16"(I.D) SPRING WASHER	[4PCS]
D1. 2"X2" FOOT CAP (9212-003)	[4PCS]
D2. 1"X2" END CAP (9211-009)	[4PCS]
D3. Ø1" ROUND END CAP (9211-016)	[2PCS]
D4. RUDDER GRIP (9212-015)	[2PCS]
D5. 2"X2" END CAP (9211-005)	[1PCS]
D6. 50X60mm NYLON BUSHING (9211-033)	[2PCS]
D7. FOAM ROLLER (9161-005)	[2PCS]



PARTS ILLUSTRATION SHEET



PCH-24.1

